



Lavatory Faucets

Single Hole Mount with Open Grid Strainer (No Pop-up hole)

Model No: 22C901

COMPLIES WITH:

- CSA certified
- Verified compliant with 0.25% weighted average Pb content regulations
- Complies to ASME A112.18.1/CSA B125.1
- Complies to ASME A112.18.6 for Flex Connector Models
- Indicates compliance to ICC/ANSI A117.1
- (Contact Delta Representative for State and/or Local Approvals)



SPECIFICATION:

- CAST BRASS
- Ceramic cartridge with rotational limit stop
- Metal hold-down package
- Colour coded plug button on handle for hot/cold identification
- Chrome Finish
- Outlet: Vandal Resistant outlet (wrench flats) 1.5 USGPM (5.7L/min)
- Handle#: 1 - Vandal Resistant 89mm(3 1/2") lever handle - ADA compliant-colour indexed

OPERATION:

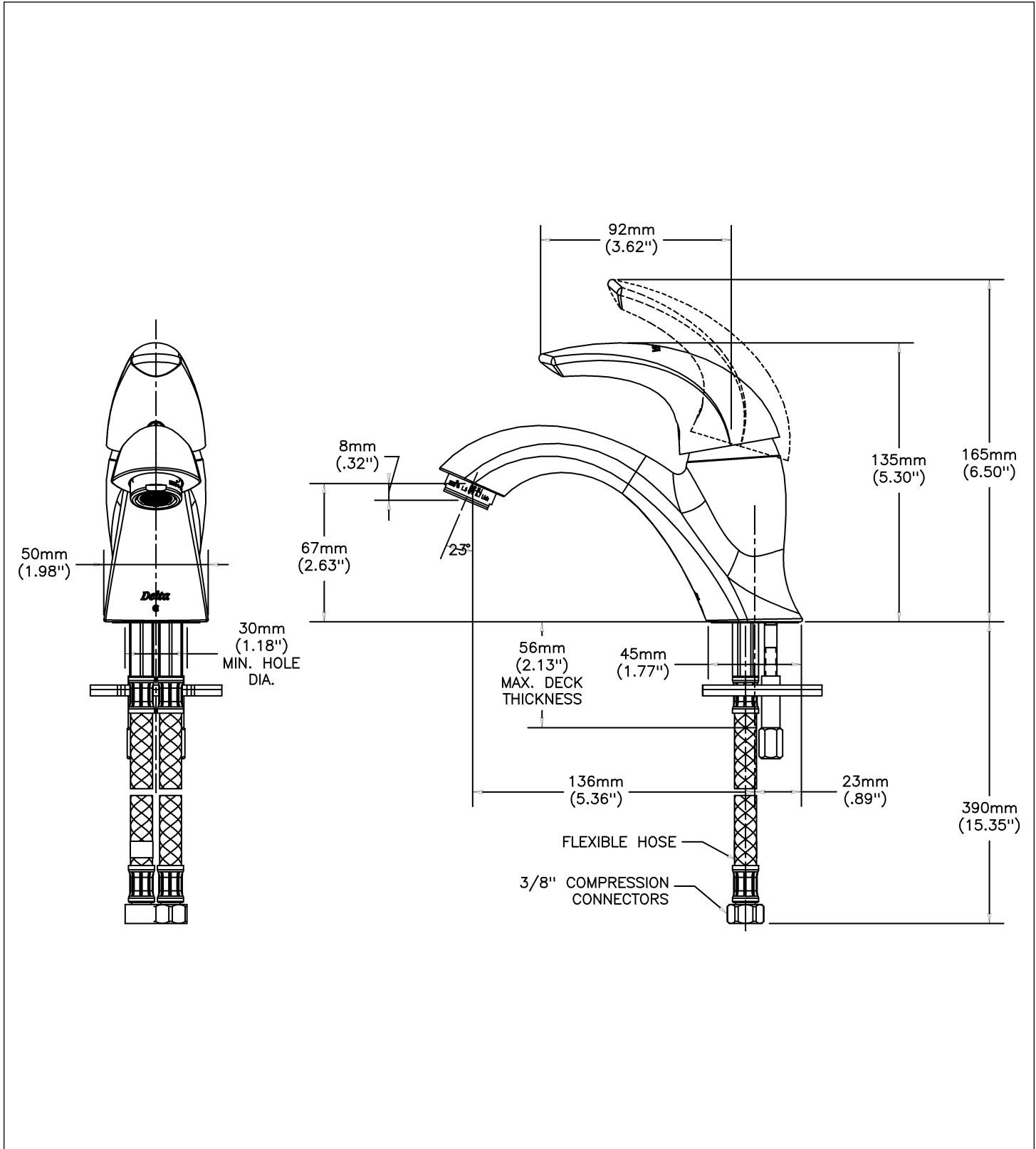
- Not Available

(Dimensional drawing on following page)

Delta reserves the right (1) to make changes to specifications and materials, and (2) to change or discontinue models, both without notice or obligation. Dimensions are for reference. Measurement may vary plus or minus 6mm(0.25"). Mounting locations are suggested only. Check with local codes for requirements in your area. This spec was produced July 13, 2021.

Delta Faucet Company - 55 East 111th St. - Indianapolis, Indiana, USA 46280 - (317) 848-1812
Delta Faucet Canada - 395 Matheson Blvd E - Mississauga, Ontario, Canada L4Z 2H2 - (905) 712-3030

Model No: 22C901



Delta reserves the right (1) to make changes to specifications and materials, and (2) to change or discontinue models, both without notice or obligation. Dimensions are for reference. Measurement may vary plus or minus 6mm(0.25"). Mounting locations are suggested only. Check with local codes for requirements in your area. This spec was produced July 13, 2021.

Delta Faucet Company - 55 East 111th St. - Indianapolis, Indiana, USA 46280 - (317) 848-1812
 Delta Faucet Canada - 395 Matheson Blvd E - Mississauga, Ontario, Canada L4Z 2H2 - (905) 712-3030